

LICENSE NO. 062.042645
EXPIRES: 11.30.2021

DATE: 08-20-2021

DESCRIPTION: ISSUE FOR PERMIT

2021-0090

PROJECT NUMBER

08-09-2021

DATE

EGI VT

DRAWN BY FINAL REVIEW

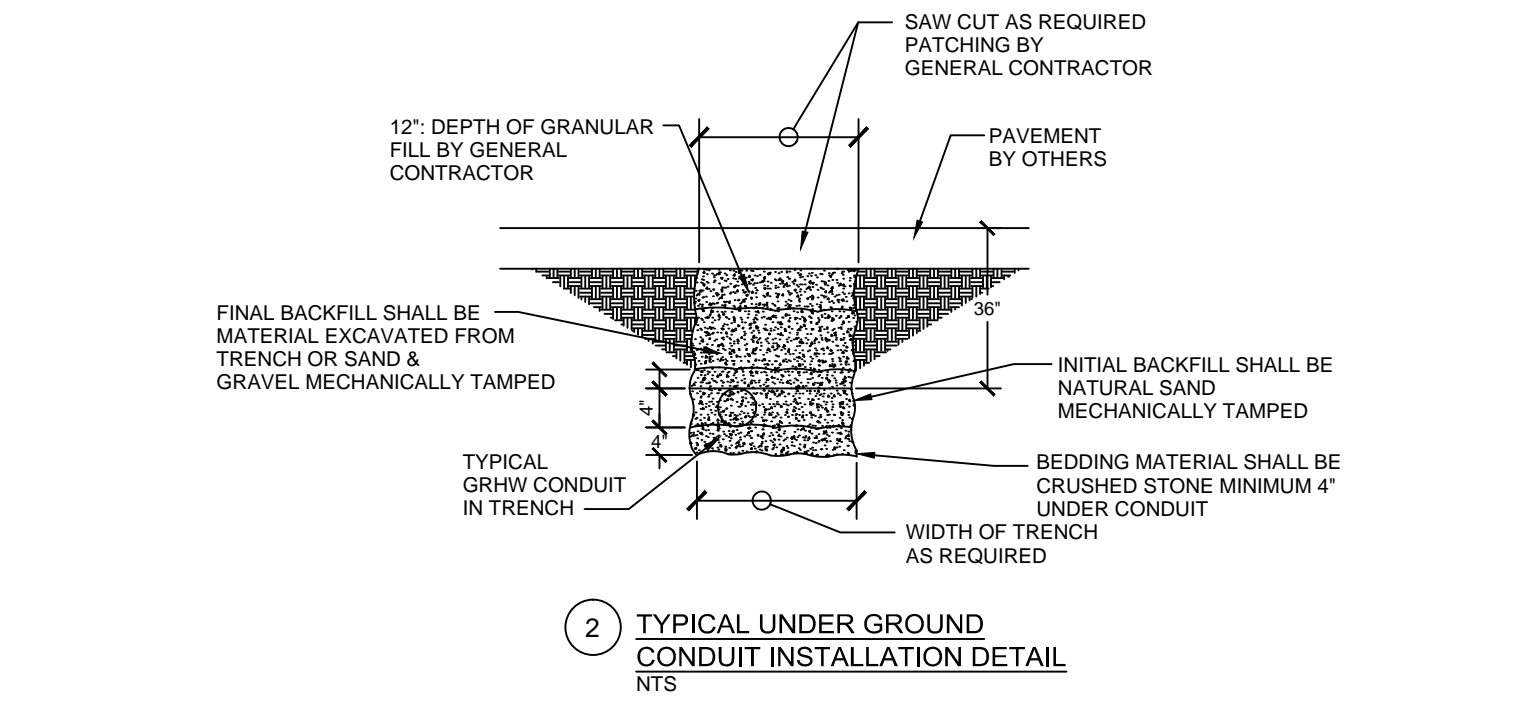
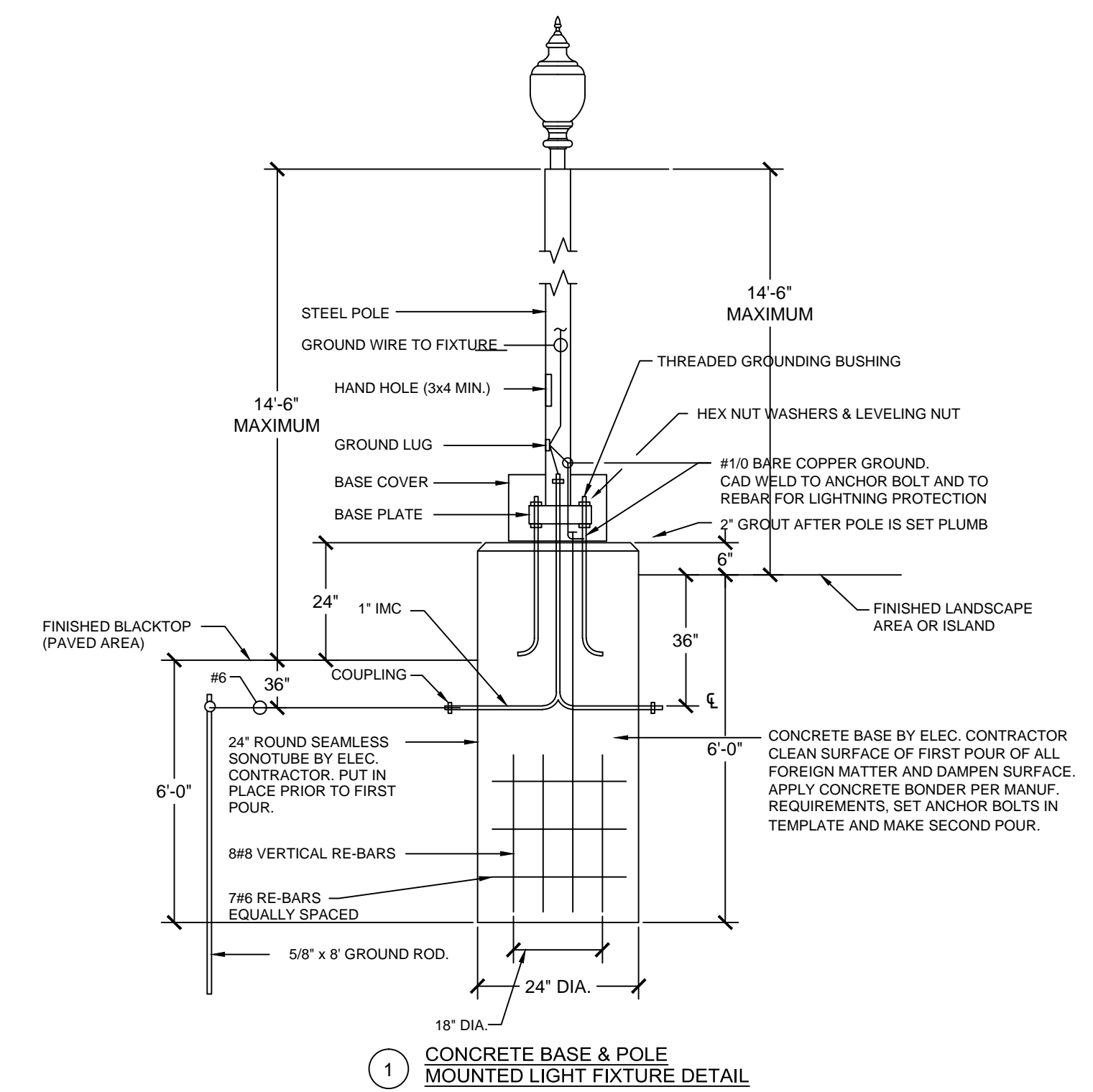
ALL DRAWINGS, SPECIFICATIONS, PLANS, CONTRACT AGREEMENTS AND OTHER DOCUMENTS REFERENCED OR INCORPORATED IN THESE DOCUMENTS ARE HEREBY APPROVED, CORRECTED, AND RECORDED AS THE PROPERTY OF ENVIRONMENTAL GROUP INC. WORK ON THIS PROJECT MUST BE REVIEWED AND APPROVED BY AN ENGINEER AT ENVIRONMENTAL GROUP INC.

ELECTRICAL SITE
PLAN

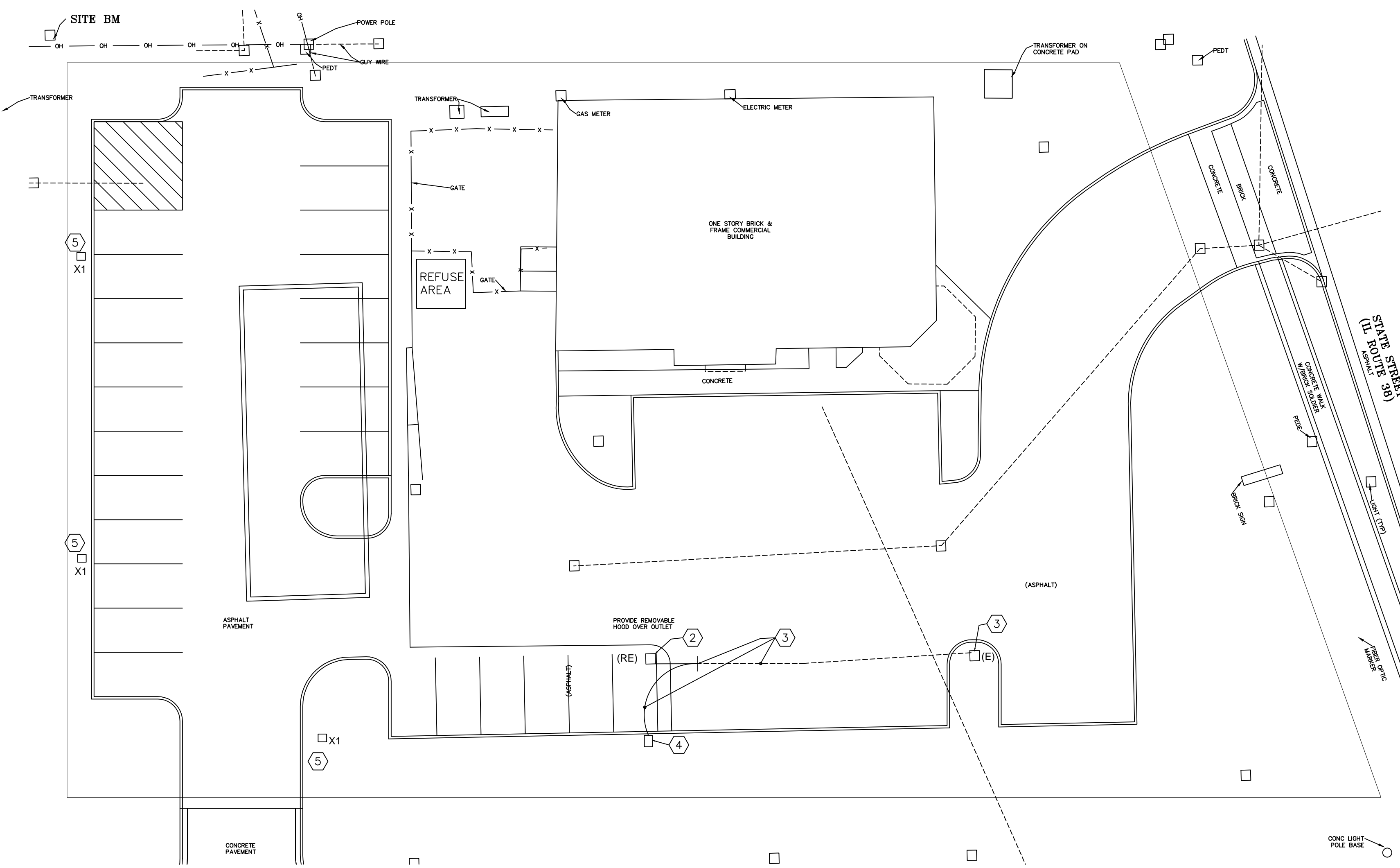
SHEET TITLE

SHEET NUMBER

E1.0



TAG	MFR & CAT No	LAMP	VOLTS
X1	MOLDCAST WCC - PM- 150HPS - BLK - FSI - HSS - DSS POLE - F7214JA - FIBER GLASS - BLACK	150 HPS	120V



ELECTRICAL SITE PLAN

1" = 16'-0"

1/16"=1'-0"



NOTES

1. LOT LIGHT BRANCH CIRCUIT CONDUCTOR SHALL BE MINIMUM #8CU.
2. SITE CONDUIT SHALL 36" BELOW GRADE SEE DETAIL 2 THIS SHEET.
4. ROUTE MIN 1" GRHW CONDUIT FOR LOT LIGHTING

KEYED NOTES

1. EXISTING PARKING LOT POLE MOUNTED LIGHT FIXTURE TO REMAIN.
2. DISCONNECT REMOTE & RELOCATE EXISTING POLE MOUNTED LIGHT FIXTURE. REMOVE EXISTING BASE COMPLETELY.
3. INTERCEPT EXISTING CONDUIT & REMOVE EXISTING WIRE COMPLETELY. CONNECT & EXTEND NEW CONDUIT, OF SAME SIZE AS EXISTING. TO NEW CONCRETE BASE FOR RELOCATED FIXTURE. PROVIDE NEW ANCHOR BOLTS & GOOF PLATE AS REQD TO FIT EXISTING BOLT PATTERN.
4. NEW CONCRETE & RELOCATED POLE LIGHT.
5. CONNECT NEW LIGHT POLE TO EXISTING POLE LIGHT BRANCH CIRCUIT & CONTROLS.